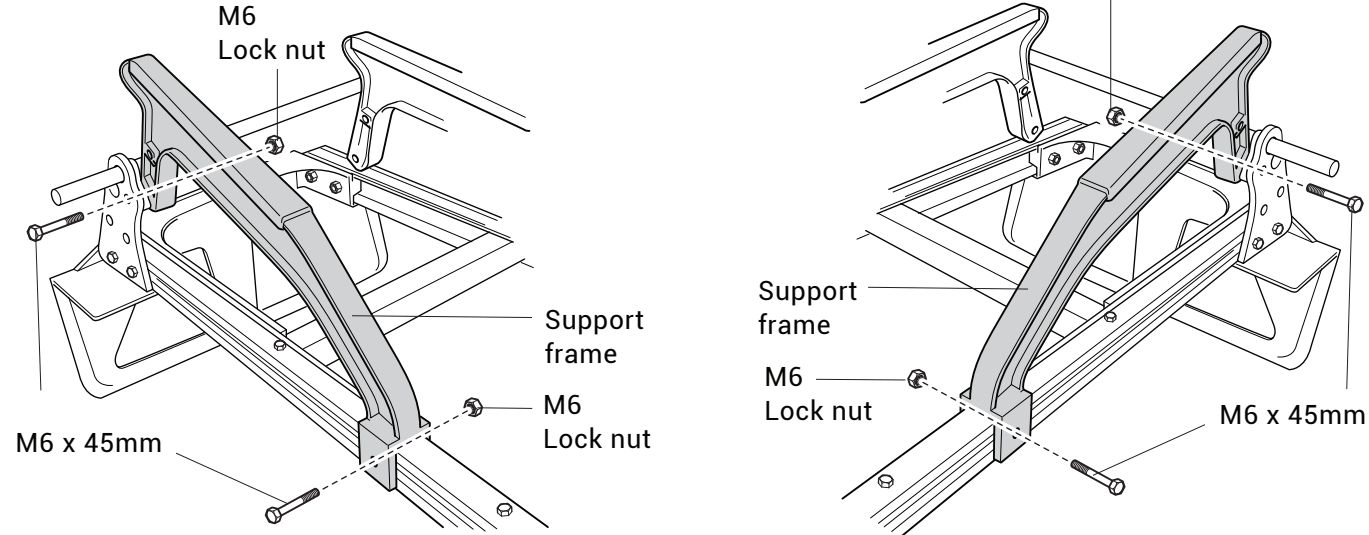
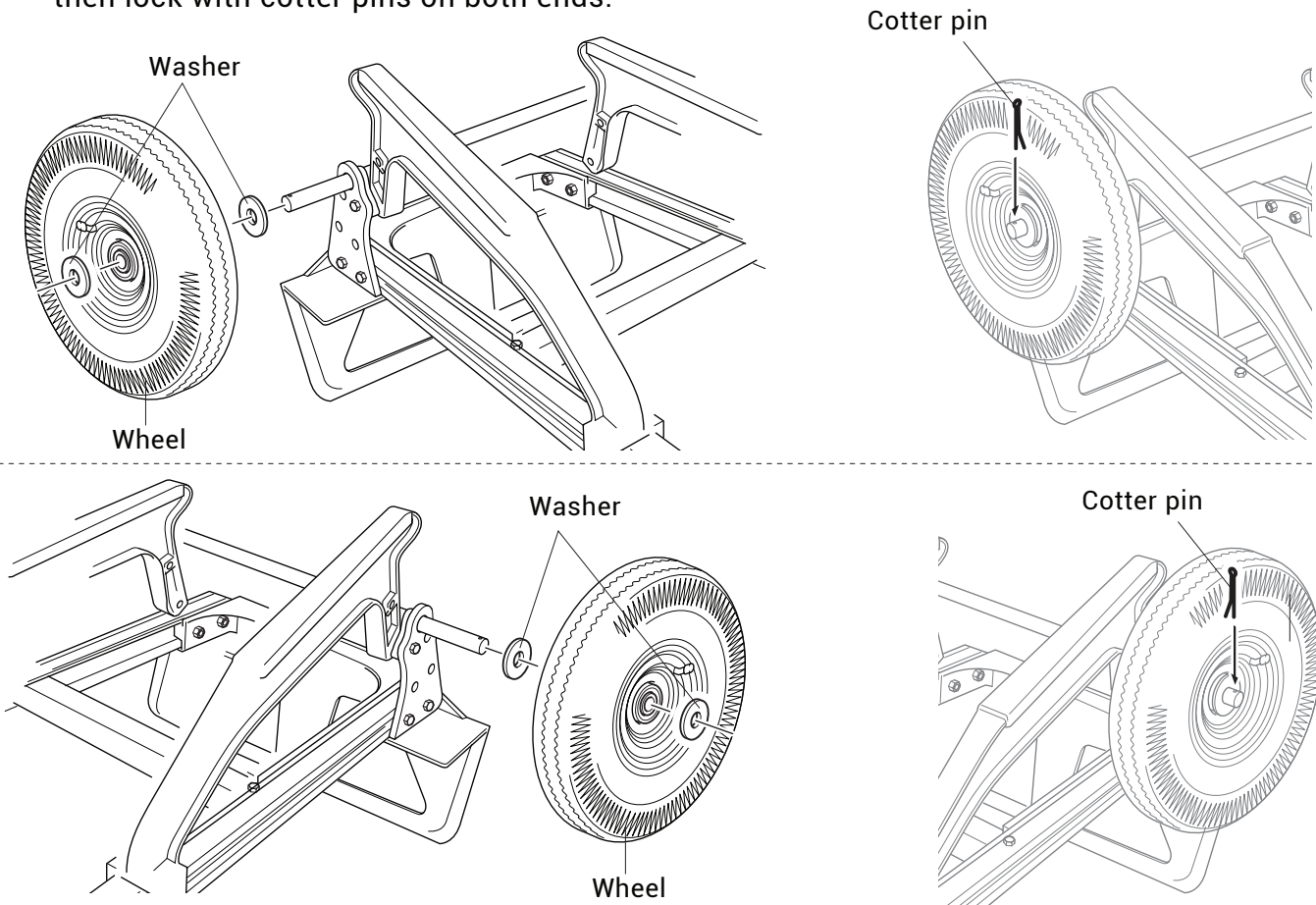


Assembly Instructions:

- 4 Attaching of support frames**
Attach 2 support frames as shown.
Fix it with 4 M6 x 45mm screw and lock nut.



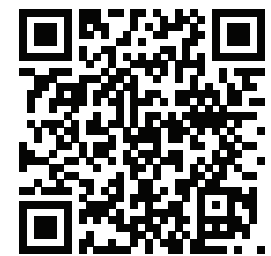
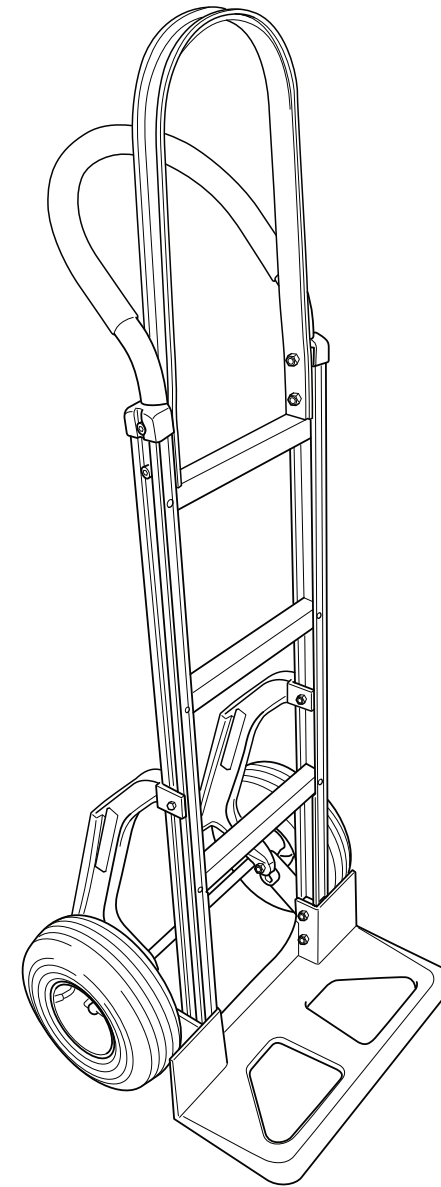
- 5 Attaching of wheels**
Attach each wheel between (2) washers
then lock with cotter pins on both ends.



The
WORKPLACE
Depot

SACKTRUCK-3

Aluminium Truck



Please scan for further information

©Copyright The Workplace Depot. All rights reserved.

Please note that the details and specifications contained herein, are correct at the time of going to print. However, The Workplace Depot reserves the right to change specifications at any time without prior notice. No part of this publication may be reproduced without prior permission.

Thank you for your order.

Before using the sack truck, please read this document.

⚠ Safety precautions:

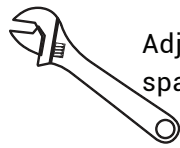
1. Keep the work area tidy & well lit and keep children and visitors away from the work area.
2. Do not exceed the 300Kg max load capacity and make sure to load evenly.
3. Before attempting to transport any load, ensure you are physically able to do so.
4. ALWAYS inspect the sack truck for signs of wear or damage before use.
6. Do not bounce trucks over rough ground or down curbs etc - use ramps wherever possible.
7. Take extra care if transporting a wide load.
8. Take care that the heaviest part of a tall load is at the base of the truck.
9. When stacking loads ensure that the height of the stack does not extend above the handle and ensure the load is stable before attempting to move the truck.

Suggested tools:

(Not included)



Spanner or Ratchet

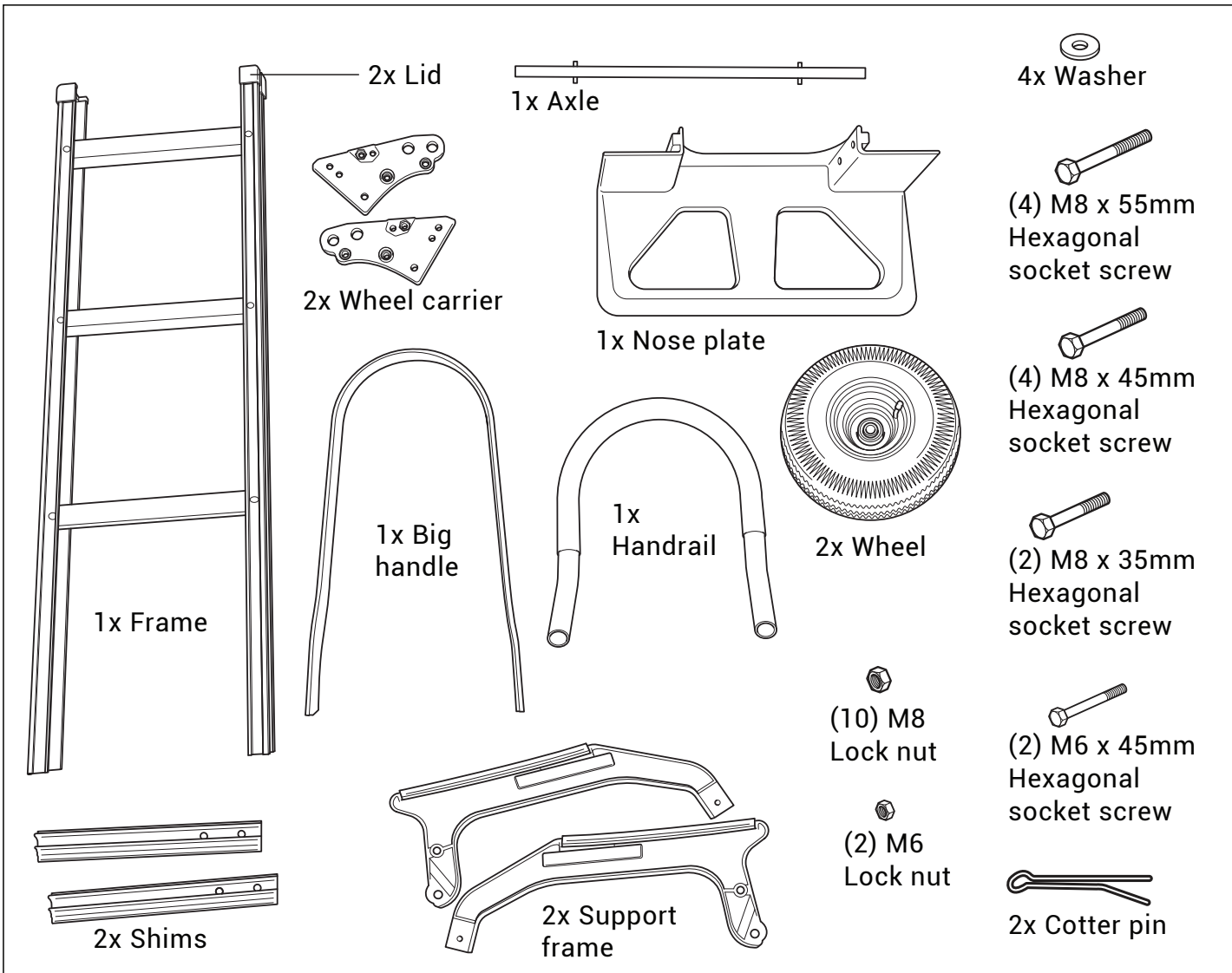


Adjustable spanner



Gloves

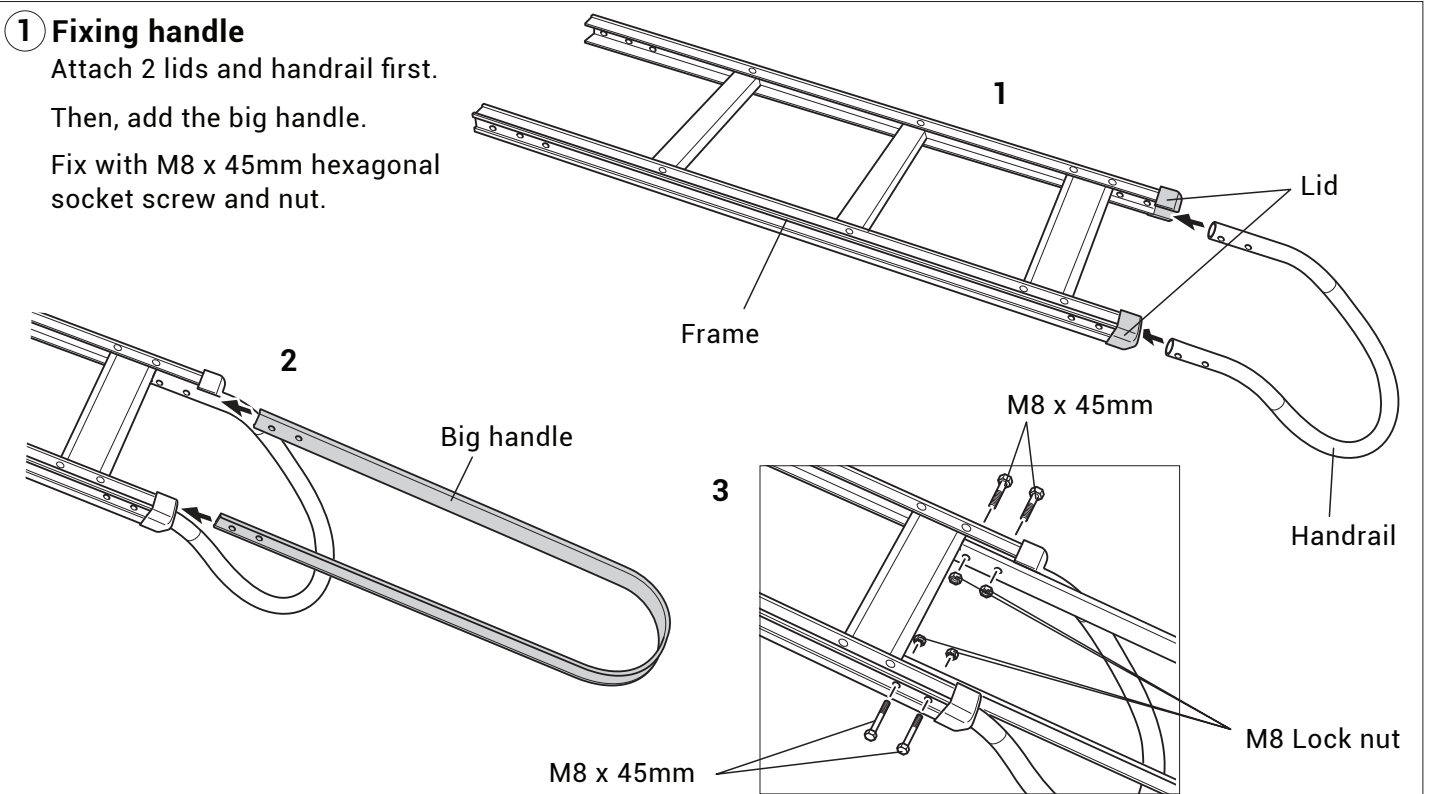
Contents:



Assembly Instructions:

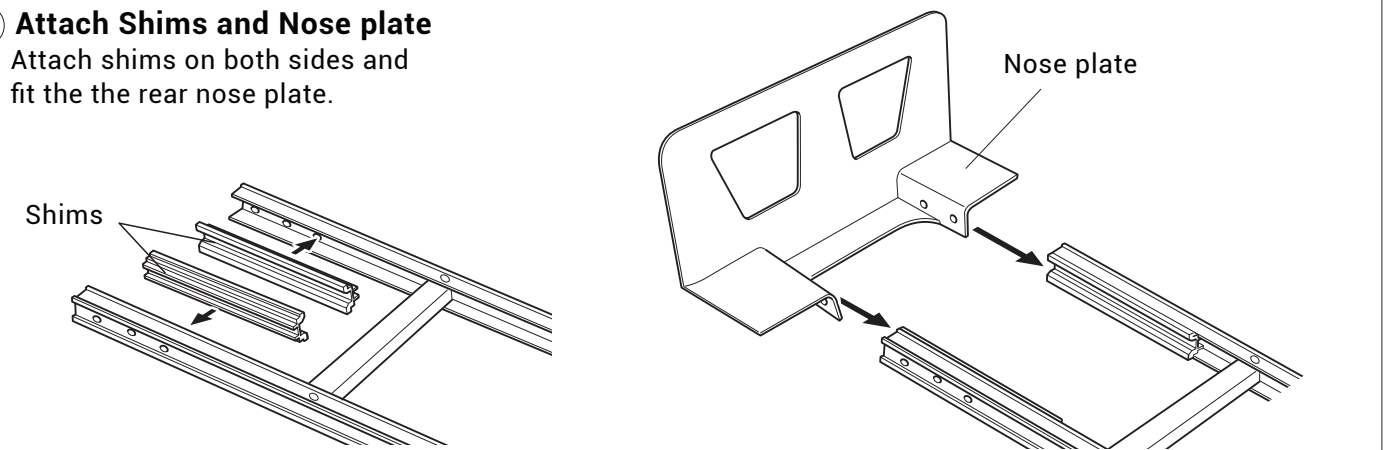
1 Fixing handle

Attach 2 lids and handrail first.
Then, add the big handle.
Fix with M8 x 45mm hexagonal socket screw and nut.



2 Attach Shims and Nose plate

Attach shims on both sides and fit the the rear nose plate.



3 Attaching axle wheel carrier

Attach axle together with one wheel carrier, then fix with 8 x 55mm bolts and nuts.

