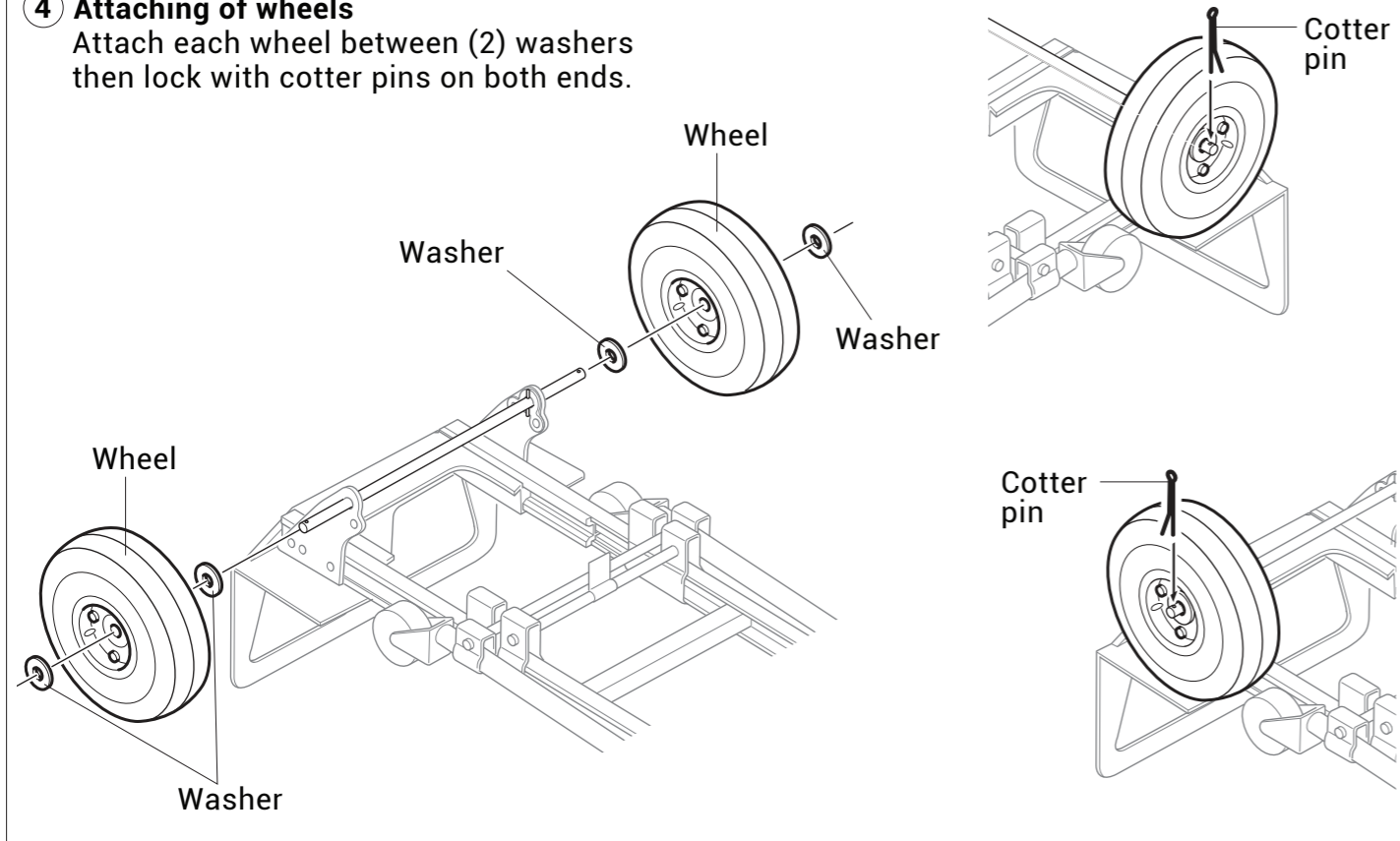


Assembly Instructions:

4 Attaching of wheels

Attach each wheel between (2) washers then lock with cotter pins on both ends.



Please scan for further information



©Copyright The Workplace Depot. All rights reserved.

Please note that the details and specifications contained herein, are correct at the time of going to print. However, The Workplace Depot reserves the right to change specifications at any time without prior notice. No part of this publication may be reproduced without prior permission.

0923DBCE

SACKTRUCK-2

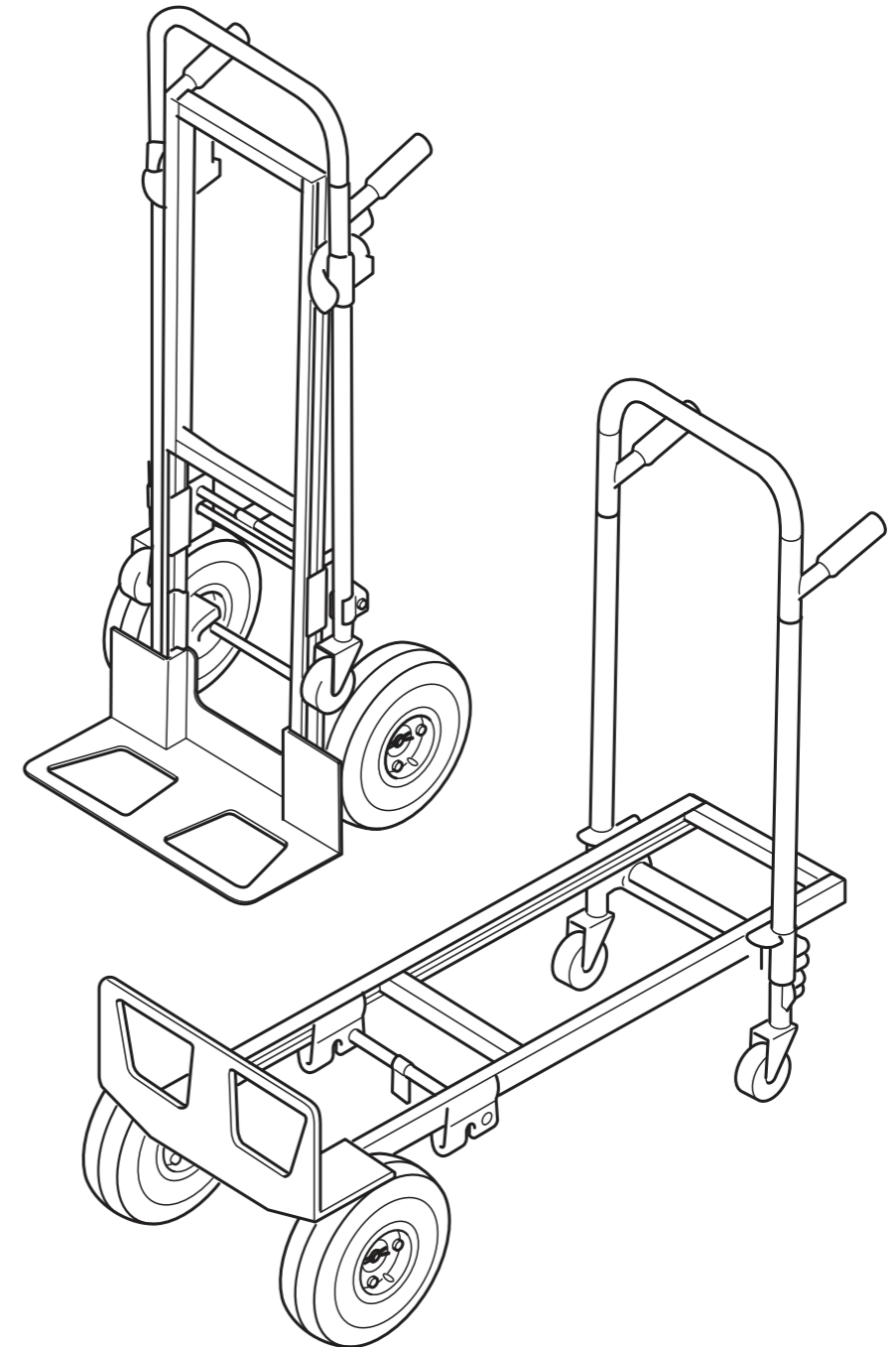
Questions? hello@theworkplacedepot.co.uk

4



SACKTRUCK-2

2-in-1 Aluminium Truck



Thank you for your order.

Before using the sack truck, please read this document.

Questions? hello@theworkplacedepot.co.uk

SACKTRUCK-2

⚠ Safety precautions:

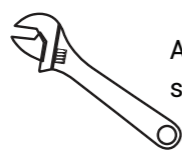
1. Keep the work area tidy & well lit and keep children and visitors away from the work area.
2. Do not exceed the 300Kg max load capacity and make sure to load evenly.
3. Before attempting to transport any load, ensure you are physically able to do so.
4. ALWAYS inspect the sack truck for signs of wear or damage before use.
6. Do not bounce trucks over rough ground or down curbs etc - use ramps wherever possible.
7. Take extra care if transporting a wide load.
8. Take care that the heaviest part of a tall load is at the base of the truck.
9. When stacking loads ensure that the height of the stack does not extend above the handle and ensure the load is stable before attempting to move the truck.

Suggested tools:

(Not included)



Spanner or Ratchet

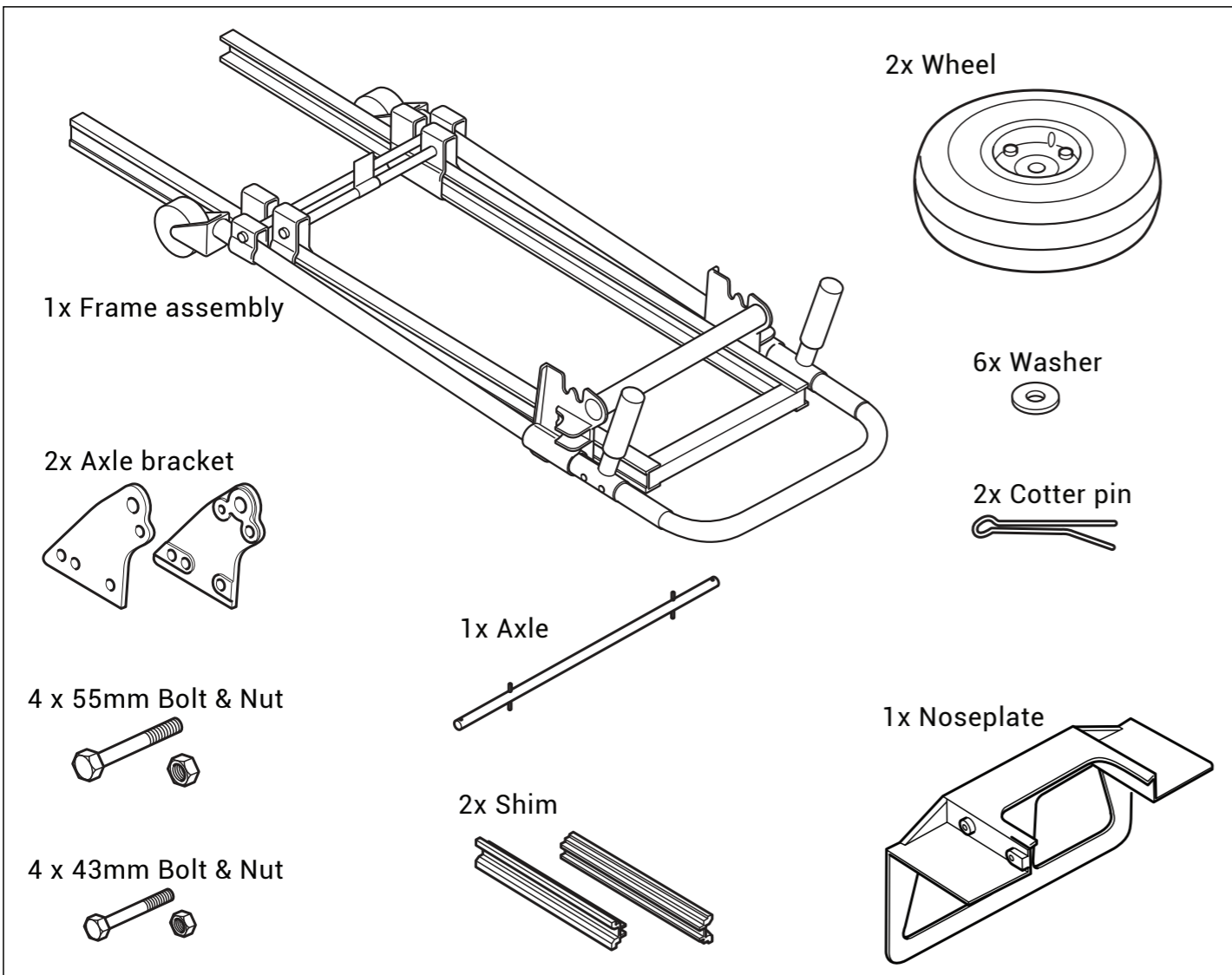


Adjustable spanner



Gloves

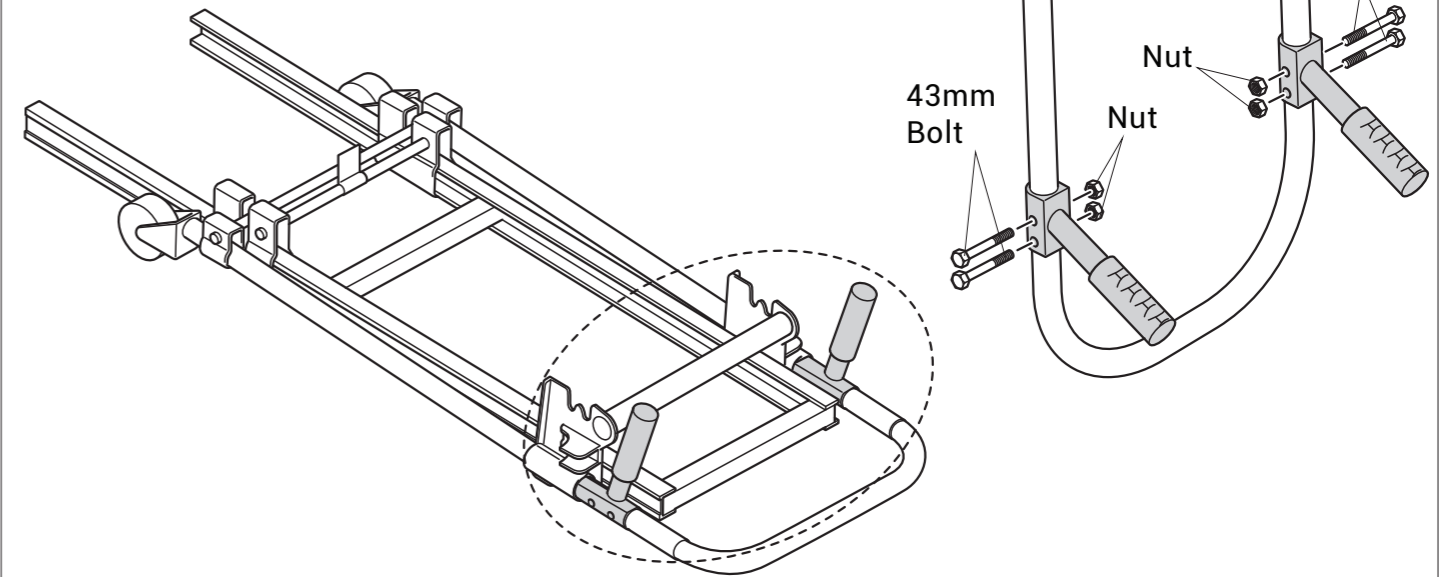
Contents:



Assembly Instructions:

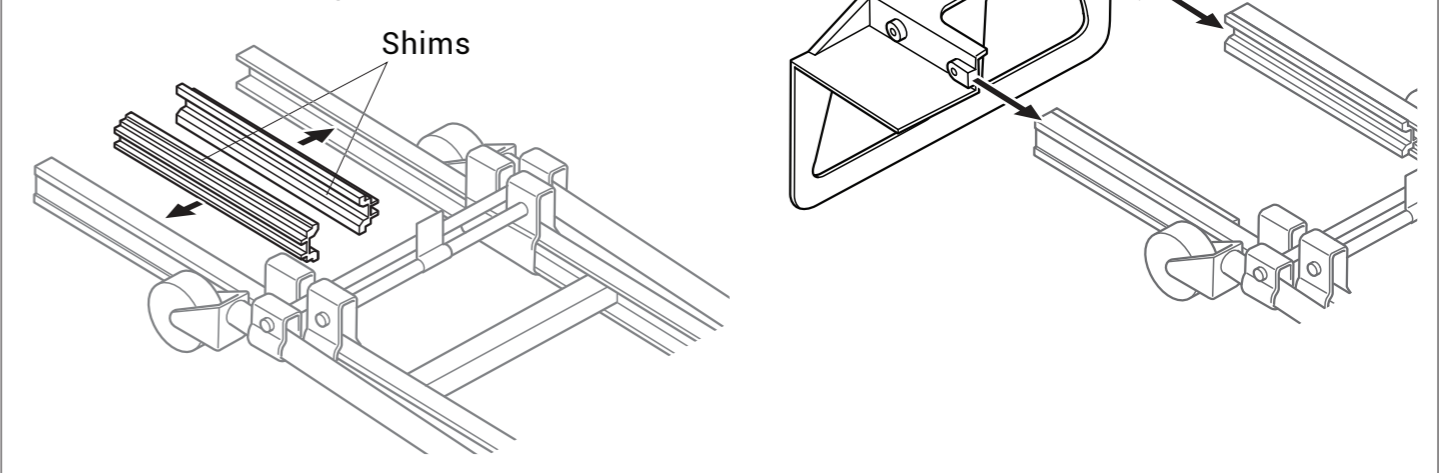
1 Fixing handle

Rotate and align handles with base holes, then fix with 4 x 43mm bolts and nuts.



2 Attaching shims and nose plate

Attach shims on both sides and fit in the rear nose plate.



3 Attaching axle bracket

Attach axle brackets with 4 x 55mm bolts and nuts and feed through axle rod.

